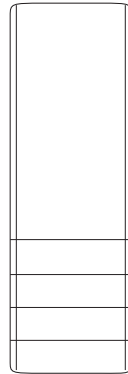


1 kit / 4 x



Applies to the following models

Vivan

Prod. No. 10110 - 10115



Maximum load: 120 kg (264 lbs.) / kit

Maximum elevation: 15 cm / 5.9 inch.

Consider this when using furniture risers:

Raising the height of a furniture with furniture risers may involve increased risk for instability. Carefully consider the situation in which the furniture risers are to be used, especially with respect to the possibility of tipping. If the patient sits or lies down in an uncontrolled manner, thereby displacing the piece of furniture, the risk of tipping may arise. Note the position of the piece of furniture and assess the need for extra support against one or two walls. Make certain that the furniture risers properly fits the piece of furniture on which it is to be used.

Fits:

1. Square legs up to 6 cm (2.4 inch.)



2. Round legs up to Ø 6 cm (2.4 inch.)



3. Oval legs up to 4 x 6,5 cm (1.6 x 2.8 inch.)



4. Rectangular legs up to 4 x 6,5 cm (1.6 x 6.5 inch)



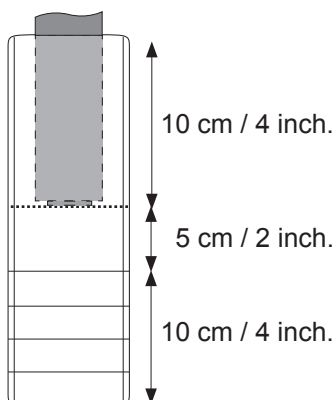
Important!

When mounting, all furniture legs must be supported from underneath by each furniture riser. A furniture leg length of minimum 10 cm (4 inch.) is required for a correct assembly of the furniture riser.

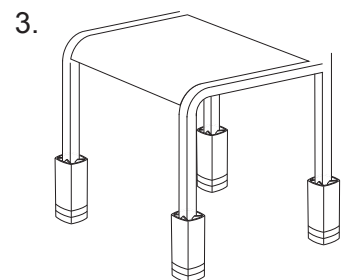
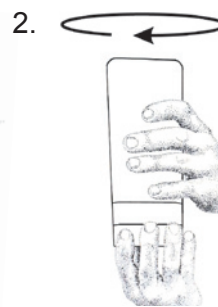
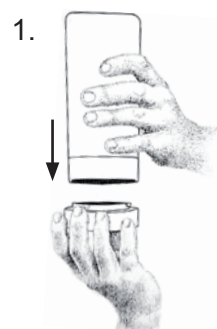
As a caregiver and the person testing the equipment, you are always responsible for the patient's safety. You must be informed of the patient's ability to manage situations involving the use of new assistive devices.

Check the furniture risers regularly. Pay particular attention to possible displacement of furniture legs and furniture risers and any damage that may have occurred. Do not use damaged furniture risers.

Contact Liko in the event of any uncertainties or questions.



Mount:



Dismount:

